

**HYDRAULIC UNDERGROUND OPERATOR FOR RESIDENTIAL SWING LEAVES WITH MAX. LEAF LENGTH OF 4 M / 13 FEET OR 800 KG / 1600 LBS MAX. WEIGHT**



**NEW DESIGN**

## Lyra

Cataphoresis treated and polyester painted box (included)



Torque adjustable with by pass valve

- **Noiseless and hydraulic reliability**
- Version with separate underground hydraulic pump unit and hydraulic jack to be connected with copper pipes
- **SEA TOTAL QUALITY:** All main parts are manufactured and tested in-house.
- The functioning of the operator through oil and the inner lubrication of all mechanical components grant a long life.
- Release with personalized key on hydraulic pump unit LYRA in case of electric power failure
- **Ajustable hydraulic slow down** for a soft approachig of the leaf.
- **(Cataphoresis) steel foundation box included in the operators'.**

## ACCESSORIES



**OIL**  
green oil in  
1 quart bottle



**COP5**  
Coper pipe  
Ø 8 ( 3,2 feet/1 m)



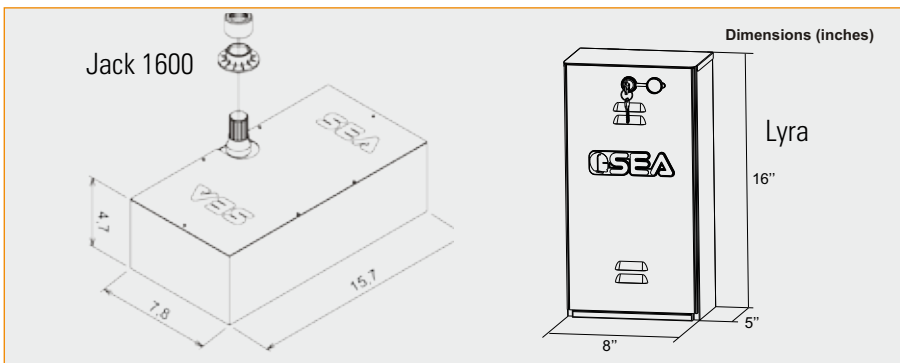
**LOOP2F**  
Flexible pipes  
Ø 8 ( 6,5feet/2,5m)

# LYRA - JACK 1600

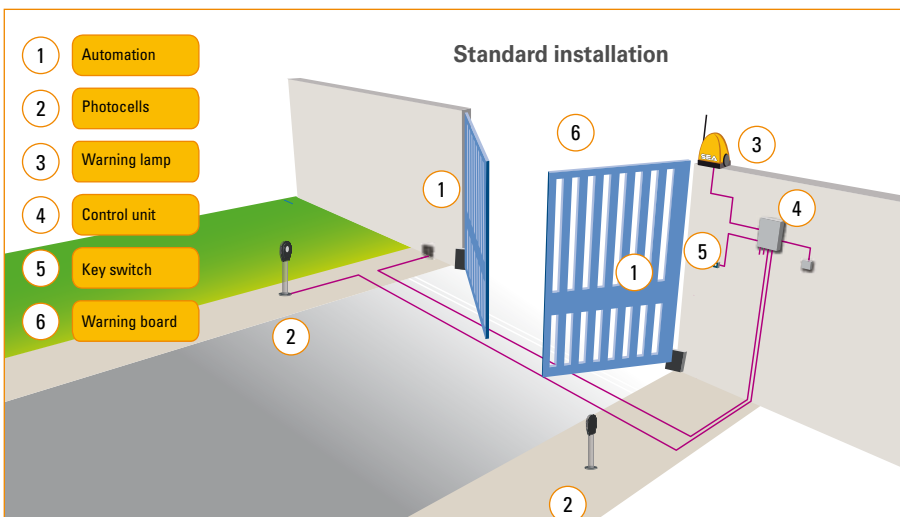
FEATURES	LYRA - JACK
Power supply	120 V
Power Consumption	220 W
Operating temperature range	-4°F to 131°F*
Opening time 90° (sec)	12
Duty cycles per hour	45
Protection class	IP 67
Max leaf length	13 feet
Max leaf weight	1600
Max opening angle (degrees)	140° - 180 °(on request)
Maximum force output	170 (daNm)
Anti-crushing protection	electronic
Slow-down	hydraulic

Lyra

Jack 1600



## Gate 2 DG DIGITAL CONTROL UNIT



- Management of two 115 Vac motors with or without limit switch
- Adjustable pedestrian opening
- Automatic logic (6 modes), half-automatic (6 modes), dead-man, open and close logic
- **Adjustable slowdown in opening and closing for each leaf and direction**
- **Adjustable motor torque for each leaf and direction**
- Working times self-learning
- Photocells self-test
- Self-diagnostics
- Settable photocells inputs
- Adjustable courtesy light output up to 4 minutes
- Electro-lock management
- Led warning lamp
- Extractable terminals
- Connector for RF radio receiver plug-in
- **Encoder/Amperometric sensitivity adjustment (for electromechanical operators)**
- **Programming through JOLLY 2 palm**
- Working time adjustable for each leaf and for opening and closing
- Leaf delay differentiated for opening and closing
- Number of performances for assistance
- PUSH-OVER function management with optional periodical push over
- 24V Aux output management
- **Safety edge management in opening and closing**
- Optional external module for traffic light management

...and many other functions

